



### Main Features

- High performance data
- Hermetically sealed register
- Oversized bypass
- Robust against stones and sand
- Easy maintenance
- Low headloss

### Application

- For field irrigation
- For irrigation machines

### Installation Requirements

Pipe	horizontal	———
Meter head	upwards	↑

- Unrestricted straight pipe in front of the meter 5 x DN
- No abrupt restrictions directly behind the meter
- For water containing large particles a strainer in front of the meter is recommended

Options.

Register with Reed Pulser  
(DN 50 - 125 : 100l/imp; DN 150+200 : 1000l/imp)

UK & Ireland Enquiries  
Sensus Metering Systems  
11 The Quadrangle, Abbey Park,  
Romsey, Hampshire SO51 9DL UK  
T: +44 (0) 1794 526100  
F: +44 (0) 1794 526101  
Email: [info.gb@sensus.com](mailto:info.gb@sensus.com)

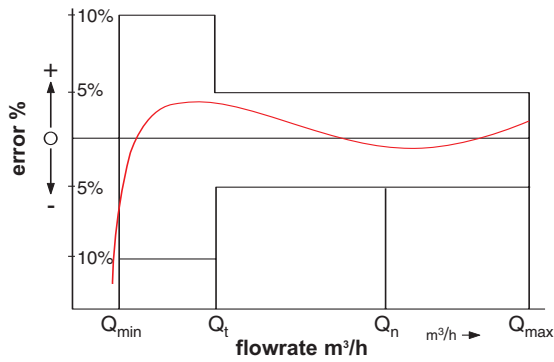
[www.sensus.com](http://www.sensus.com)

International Enquiries  
Sensus Metering Systems GmbH Ludwigshafen  
Industriestrasse 16,  
67063 Ludwigshafen Germany  
T: +49 (0) 621-6904-0  
F: +49 (0) 621-6904-1409  
Email: [info.int@sensus.com](mailto:info.int@sensus.com)

[www.sensus.com](http://www.sensus.com)



## Typical Accuracy Curve



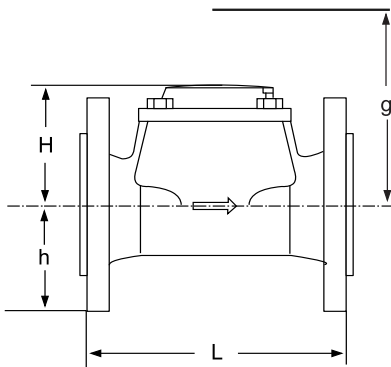
- $Q_{max}$  = maximum peak flow  $\pm 5\%$
- $Q_n$  = continuous flow  $\pm 5\%$
- $Q_t$  = transitional flow  $\pm 5\%$
- $Q_{min}$  = minimum flow  $\pm 10\%$

## Performance Table

Nominal Diameter	DN	50	65	80	100	150	200
Size of meter (acc. to EEC)	$Q_n$	15	25	40	60	150	250
Max. peak flow	$Q_{max}$ m <sup>3</sup> /h	60	100	150	250	500	1000
Continuous flow	$Q_n$ m <sup>3</sup> /h	30	50	90	140	250	500
Transitional flow	$Q_t$ m <sup>3</sup> /h	5.0	7.0	10.0	15.0	35.0	400
Minimum flow	$Q_{min}$ m <sup>3</sup> /h	1.0	2.0	3.0	5.0	18.0	200

Pressure loss  $\Delta p < 0.05$  bar at  $Q_n$

## Dimension Picture



## Dimensions and Weights

Nominal Diameter	DN	50	65	80	100	150	200
Size of meter (EEC)	$Q_n$	15	25	40	60	150	250
Working pressure	PN bar	16	16	16	16	16	16
Overall length	L mm	200	200	200	200*	210*	220
Height	H mm	91	91	100	110	116	147
	h mm	75	80	95	105	133	160
	g mm	167	167	162	166	192	223
Weight body	kg	7.3	9.1	10.2	12.6	20.4	33,4
Weight measuring element	kg	0.4	0.4	0.4	0.4	0.4	0,4
Weight meter	kg	7.7	9.5	10.6	13.0	20.8	33,8

\* ISO-length on request